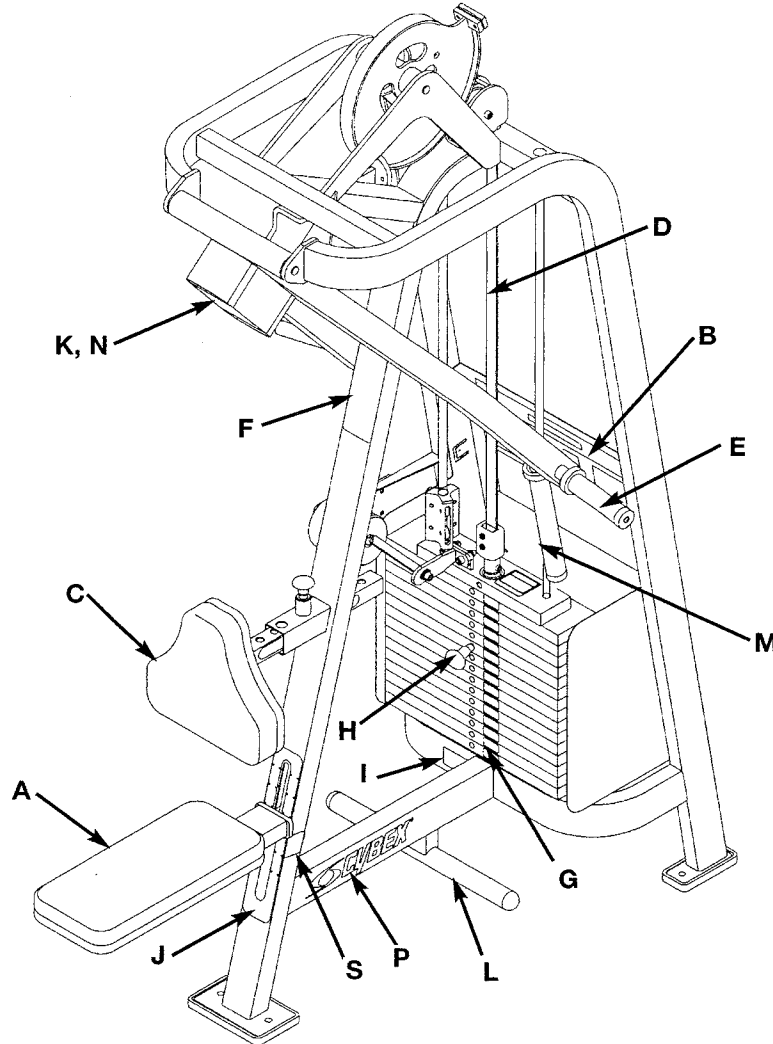


ROW / REAR DELT - SINGLE AXIS

PRODUCT NO. 4521

PARTS LIST

Note: Item D - Weight Stack Belt = 57.5" Long
Item D - Input Arm Belt = 32" Long



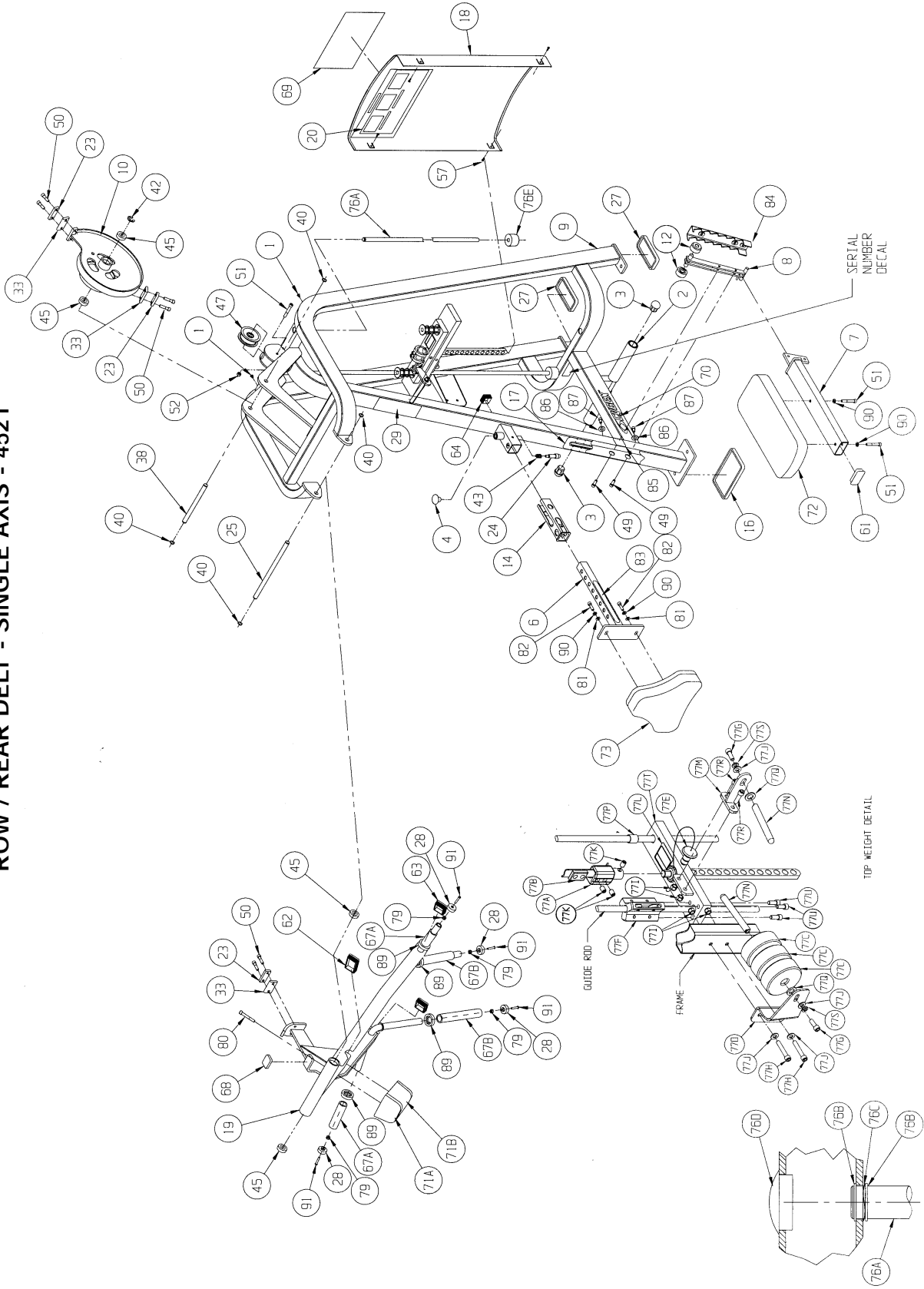
See exploded-view diagram for items: O (#69), Q (#77 K) and R (#83).

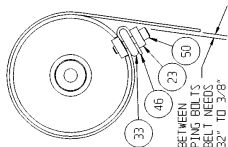
DESCRIPTION	PART NO.	DESCRIPTION	PART NO.
A. Seat Cushion	4800-024	L. Rubber Grip	02022
B. Placard Decal	4521-598	M. Grip.....	4605-502
C. Chest Cushion	4800-026	N. Wear Cover (Item K).....	4800-101
D. Belt.....	GB000202	O. Cybex Decal Blk/Plm	3900-391
E. Grip.....	4605-501	O. Cybex Decal Wht/Wht...	3900-419
F. Warning Decal	4605-381	P. Cybex Decal Blk/Plm	3900-390
G. Weight Plate Decal.....	4605-388	P. Cybex Decal Wht/Wht ..	3900-415
H. Weight Selector Pin.....	BH030207	Q. Caution Decal	4605-424
I. Serial Number Decal		R. Adjusting Decal	4520-357
J. Seat Adjustment Decal..	5221-316	S. Caution Decal	4520-362
K. Cushion w/Wear Cover..			

4521 - Row / Rear Delt - Single Axis

ITEM	QTY	PART NO.	DESCRIPTION	ITEM	QTY	PART NO.	DESCRIPTION
1	2	01193	Finned Fastener	62	1	PP090206	Plastic Insert
2	2	02022	Rubber Grip 7.0"	63	2	PP090210	Plastic Insert 2.00 Sq x 10-14 G
3	2	08001	Plug 1.50	64	1	PP090211	Plastic Insert 1.50 Sq x 10-14 G
4	1	11040-440	Cybex Knob	65			Not Used
5			Removed 8/98	66			Not Used
6	1	4520-211	Cushion Tube	67 A	2	4605-501	Grip 5.00
7	1	4520-204	Seat Tube	67 B	2	4605-502	Grip 9.00
8	1	4520-212	Seat Roller	68	1	PU060203	Bumper
9	1	4520-208	Frame	69			Removed 3/03
10	1	4520-209	Cam	69	1	3900-391	Cybex Decal 11.37 Vert. Blk/PIm
11			Not Used	69	1	3900-419	Cybex Decal 11.37 Vert. Wht/Wht
12	2	4520-331	Roller	70			Removed 3/03
13			Removed	70	2	3900-390	Cybex Decal 1.57 Horiz. Blk/PIm
14	1	4605-512	Plastic Insert 7.94	70	2	3900-415	Cybex Decal 1.57 Horiz. Wht/Wht
15			Not Used	71 A	1		Cushion/Wear Cover
16	1	PR070002	Foot Pad 4.00 x 7.00	71 B	1	4800-101	Wear Cover
17	1	5221-316	Seat Adjustment Decal	72	1	4500-022	Seat Cushion
18	1	4505-443	Guard	73	1	4800-026	Chest Cushion
19	1	4521-200	Pivot	74			Removed 8/98
20	1	4521-598	Placard Decal	75			Removed 8/98
21			Not Used	76	1	4701-022	Guide Rod Set 58"
22			Not Used	76 A	2	4520-304	Weight Rod .625 Dia. x 58.00
23	3	4605-300	Belt Clamp	76 B	4	BR030214	Retaining Ring .625
24	1	4605-322	Detent Pin	76 C	2	HS407100	Spring Washer .65 x .79 x .062 T
25	1	4605-334	Pivot Shaft 13.06	76 D	2	PN660200	Plastic Insert 1.00 Dia. x 11G
26			Not Used	76 E	2	PR060005	Weight Bumper
27	2	PR070003	Foot Pad 2.00 x 5.25	77	1	4701-034	Sliding Increment Weight Set
28	4	11090-374	End Cap	77 A	1	11040-216	Belt Clamp
29	4	4605-381	Warning Decal	77 B	1	11040-301	Belt Clamp Insert
30			Not Used	77 C	3	4605-390	Increment Weight
31	1	4605-388	Weight Plate Decal 10-290	77 D			Removed 3/03
32			Not Used	77 E	1	BH030207	Weight Selector Pin
33	3	4605-394	Belt Clamp	77 F	1	FB130208	Bearing Sleeve .68 x .81 1.00 L
34			Not Used	77 G	2	HC702817	SHCS .375-16 x 1.00
35			Not Used	77 H	2	HC702828	SHCS .375-16 x 2.25
36	1	4701-302	VR2 Weight Stack Instr. (not shown)	77 I	4	HN704901	Nylon Locknut .375-16
37			Not Used	77 J	4	HS347600	Washer, SAE .375
38	2	5220-320	Pivot Shaft 7.06	77 K	1	HY740000	Set Screw
39			Removed 8/98	77 L	1	4605-424	Caution Decal
40	4	BR030210	Retaining Ring 17 mm	77 M	1	4700-240	Weight Mount
41			Not Used	77 N	2	4700-318	Increment Weight Rod
42	1	BR030216	Retaining Ring .875	77 O	1	4700-319	Frame Mount Increment Weight
43	1	BS070201	Com Spring .56 x .66 x 1.50 L	77 P	2	4701-001	Top Weight Guide
44	1		Serial Number Decal	77 Q	2	4700-321	Rubber Washer
45	4	FB030232	Radial Brg 17 mm ID (Ext Race)	77 R	2	JC702820	SHCS .375-16 x 1.25
46 A	57.5"	GB000202	Weight Stack Belt .95" Wide	77 S	2	HS348300	Split Lockwasher .375
46 B	32"	GB000202	Input Arm Belt .95" Wide	77 T	1	4700-238	Top Weight
47	1	GP000209	Pulley Assembly 3.50	77 U	3	HC702816	SHCS .375-16 x .875
48			Not Used	78	1	51198	Strength Warranty Sheet (not shown)
49	2	HC702817	SHCS .375-16 x 1.00	79	4	HF449063	Connector Insert .75 x .25-20
50	6	HC702822	SHCS .375-16 x 1.50	80	2	HC702834	SHCS .375-16 x 3.00
51	3	HC702830	SHCS .375-16 x 2.50	81	2	HS347600	Washer .375 SAE
52	1	HN704901	Nylon Locknut .375-16	82	2	HC702820	SHCS .375-16 x 1.25
53			Removed	83	1	4520-357	Adjusting Decal
54			Removed 8/98	84	1	4520-213	Bracket
55			Not Used	85	1	4520-362	Caution Decal
56			Not Used	86	2	HS347700	Washer USS .375
57	4	HT102214	Tap Screw #10-12 x .625 A (Phil)	87	2	JC702812	SHCS .375-16 x .50
58			Not Used	88	14	4000C101	Stack Weight 4 x 18 (not shown)
59			Removed 8/98	89	4	11090-376	Handle Grip Ring
60			Not Used	90	4	JS347400	Internal Tooth Lockwasher
61	1	PN090202	Plastic Insert 1.5 Dia x 3.0 x 11 G	91	4	JC620422	BHSCS .250-20 x 1.50

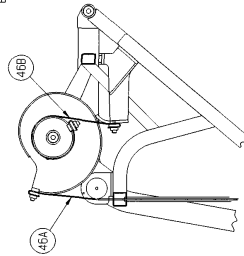
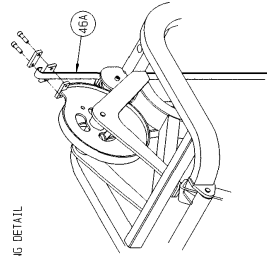
ROW / REAR DELT - SINGLE AXIS - 4521



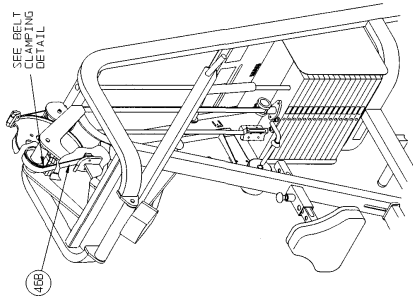


THE GAP BETWEEN THE CLAMPING BOLTS AND THE BELT NEEDS TO BE 1/32" TO 3/8"

BELT CLAMPING DETAIL



SIDE VIEW



BELT ROUTING DETAIL